

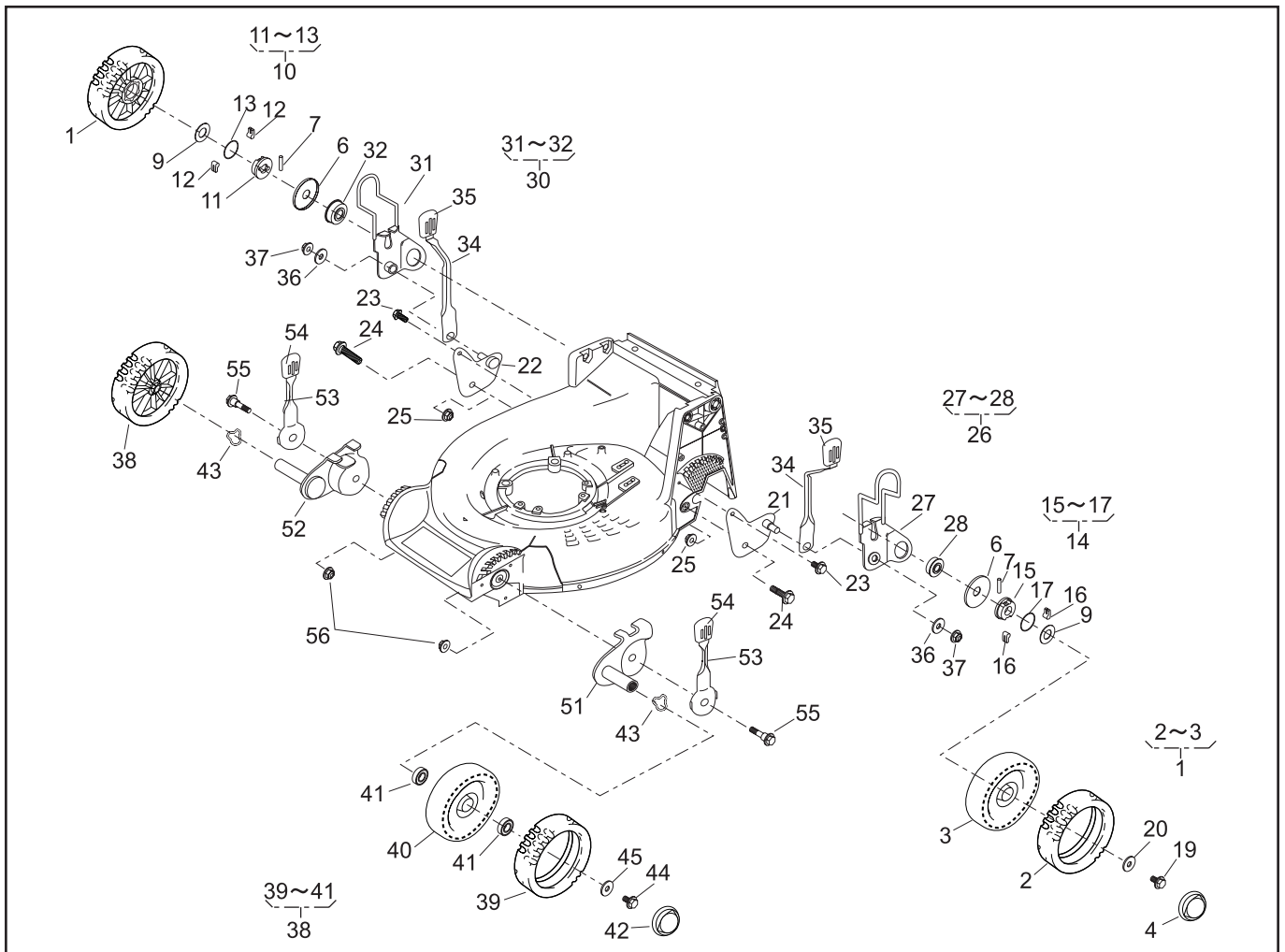


TOSAERBA SARP

SLM-5360HX serie 2nd - 01

da matr. 5220001

ESPLOSO RICAMBI

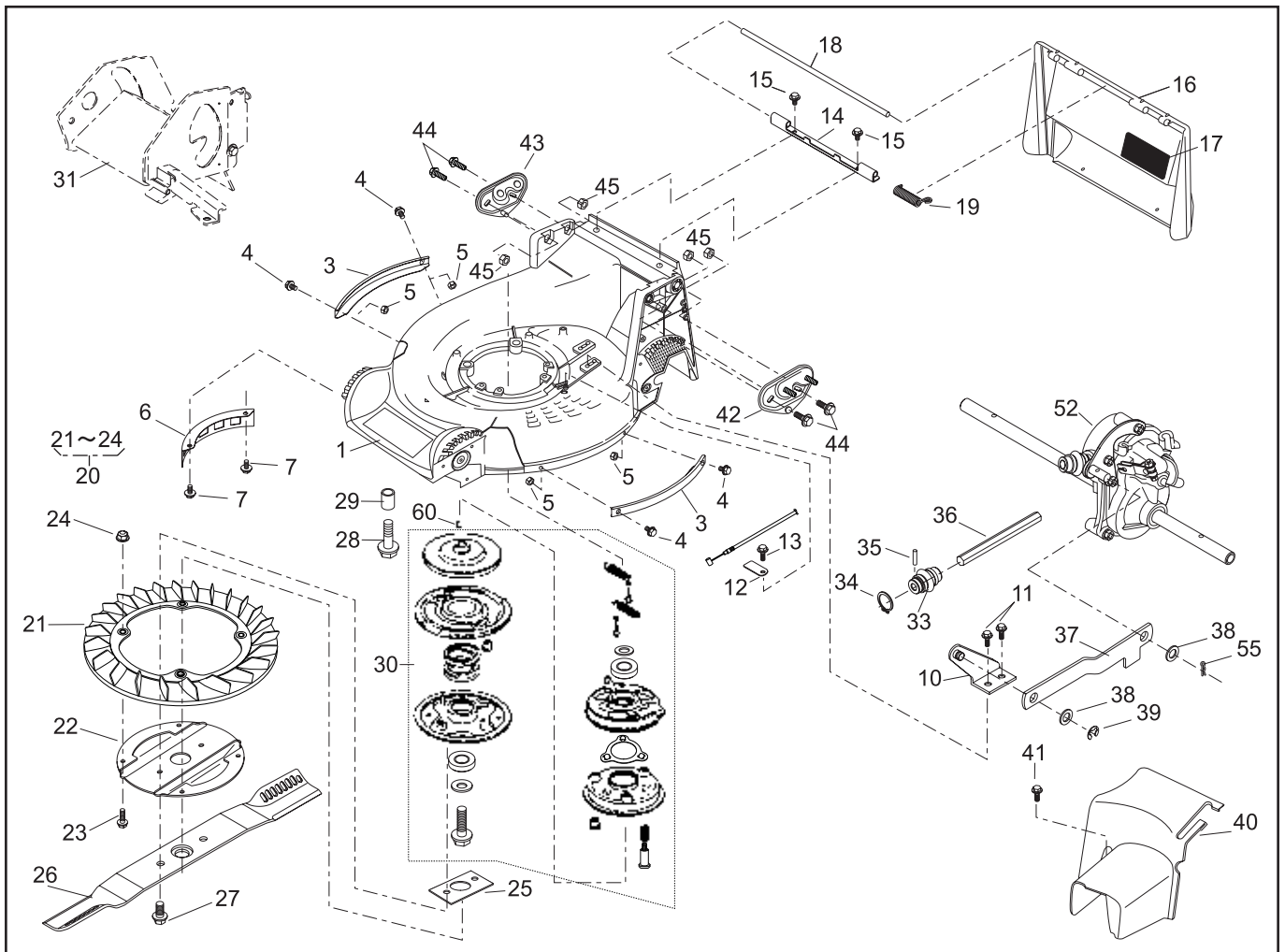


PARTS LIST

P/L No. 46014-501-00

NOTE

REF. No.	PARTS No.	PARTS NAME	WHEEL		PRICE()	1/2	RECOMM.(%) Lot.100	Dec. 25, 2006	REMARKS
			Q'TY	INCLUDING					
1	71041 112	WHEEL ASSY(R)	2						
2	91086 106	TIRE	2						
3	36107 101	WHEEL	2						
4	36070 110	CAP	2						
5									
6	61003 112	THRUST PLATE	2						
7	31034 137	PIN	2						
8									
9	68036 146	WASHER	2						
10	71158 101	RATCHET ASSY(R)	1						
11	11102 138	HOLDER	1						
12	31034 170	PIN	2						
13	68013 266	SPRING	1						
14	71158 102	RATCHET ASSY(L)	1						
15	11102 138	HOLDER	1						
16	31034 170	PIN	2						
17	68013 266	SPRING	1						
18									
19	31057 181	HEXAGON BOLT	2						
20	68036 101	WASHER	2						
21	11006 151	STAY C.P.(RL)	1						
22	11006 152	STAY C.P.(RR)	1						
23	342L 0612	FLANGE TAPPING BOLT	2						
24	31057 255	HEXAGON BOLT	2						
25	584L 0800	U-FLANGE NUT	2						
26	71122 112	ADJUSTER ASSY(L)	1						
27	11142 131	ADJUSTER(RL)	1						
28	945L 0349	BEARING	1						
29									
30	71122 113	ADJUSTER ASSY(R)	1						

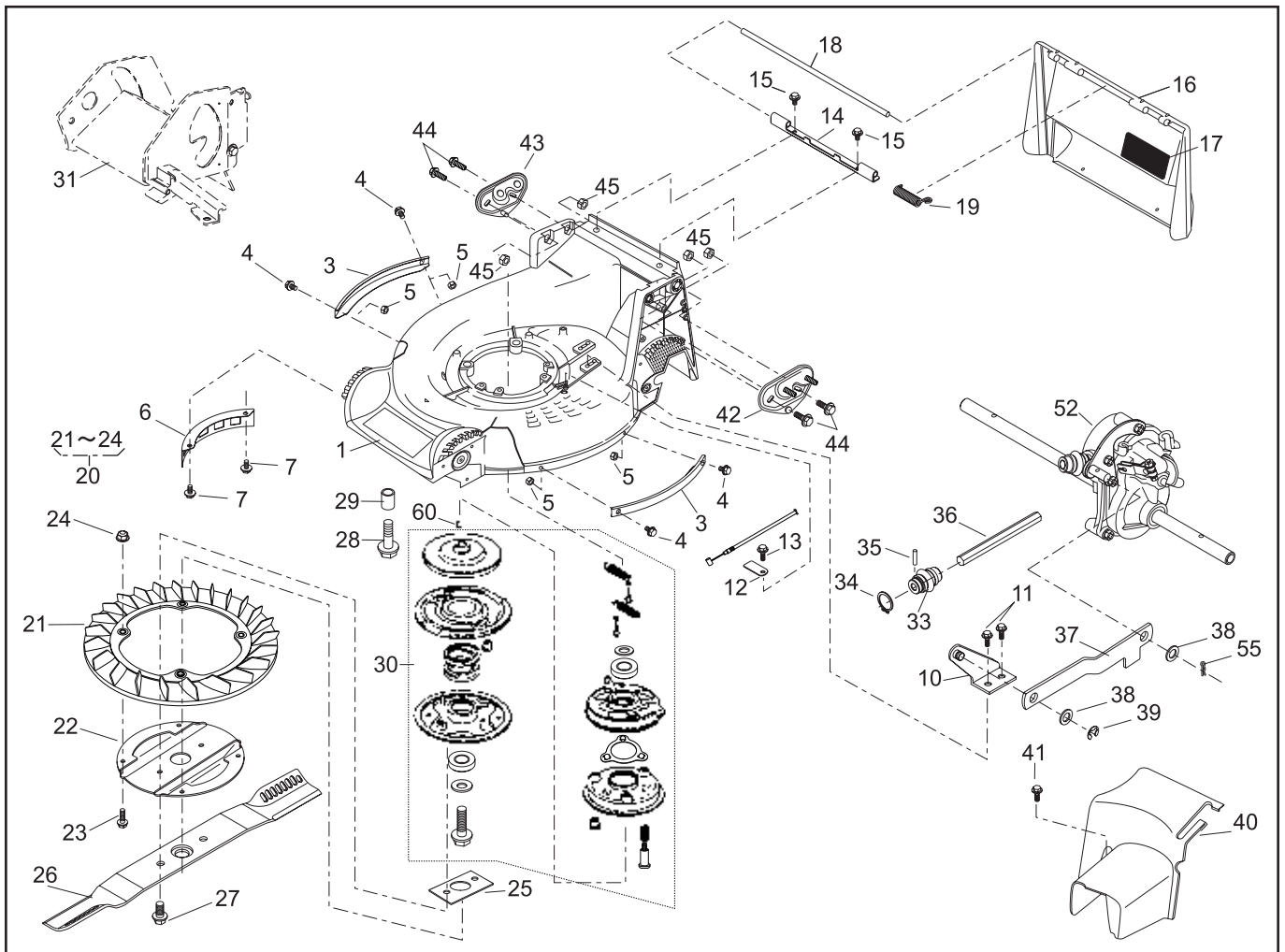


PARTS LIST

P/L No. 46014-533-00

NOTE

REF. No.	PARTS No.	PARTS NAME	GRASS-CUTTING			1/2	Dec. 25, 2006
			Q'TY INCLUDING	PRICE()	RECOMM.(%) Lot.100	REMARKS	
1	51043 152 42	HOUSING	1				
2							
3	51090 117 09	PROTECTOR	2				
4	335L 0616	FLANGE BOLT	4				
5	512L 0600	HEXAGON NUT	4				
6	36065 180	COVER	1				
7	342L 0612	FLANGE TAPPING BOLT	2				
8							
9							
10	11006 155	STAY C.P.	1				
11	342L 0612	FLANGE TAPPING BOLT	2				
12	11113 407	STAY	1				
13	342L 0612	FLANGE TAPPING BOLT	1				
14	11113 292	STAY	1				
15	342L 0612	FLANGE TAPPING BOLT	2				
16	36068 196 46	GUARD	1				
17	36080 149	RUBBER SHEET	1				
18	64014 324	SHAFT	1				
19	68013 336	SPRING	1				
20	71082 111	FAN ASS'Y	1				
21	51125 103	FAN	1				
22	11102 151	HOLDER	1				
23	31062 169	PRE-COAT LOCK BOLT	4				
24	579L 0600	FLANGE NUT	4				
25	61024 208	SPACER	1				
26	91014 188	BLADE	1				
27	31057 197	HEXAGON BOLT	2				
28	31057 243	HEXAGON BOLT	4				
29	61024 142	SPACER	3				
30	71067 106	BRAKE ASS'Y	1				

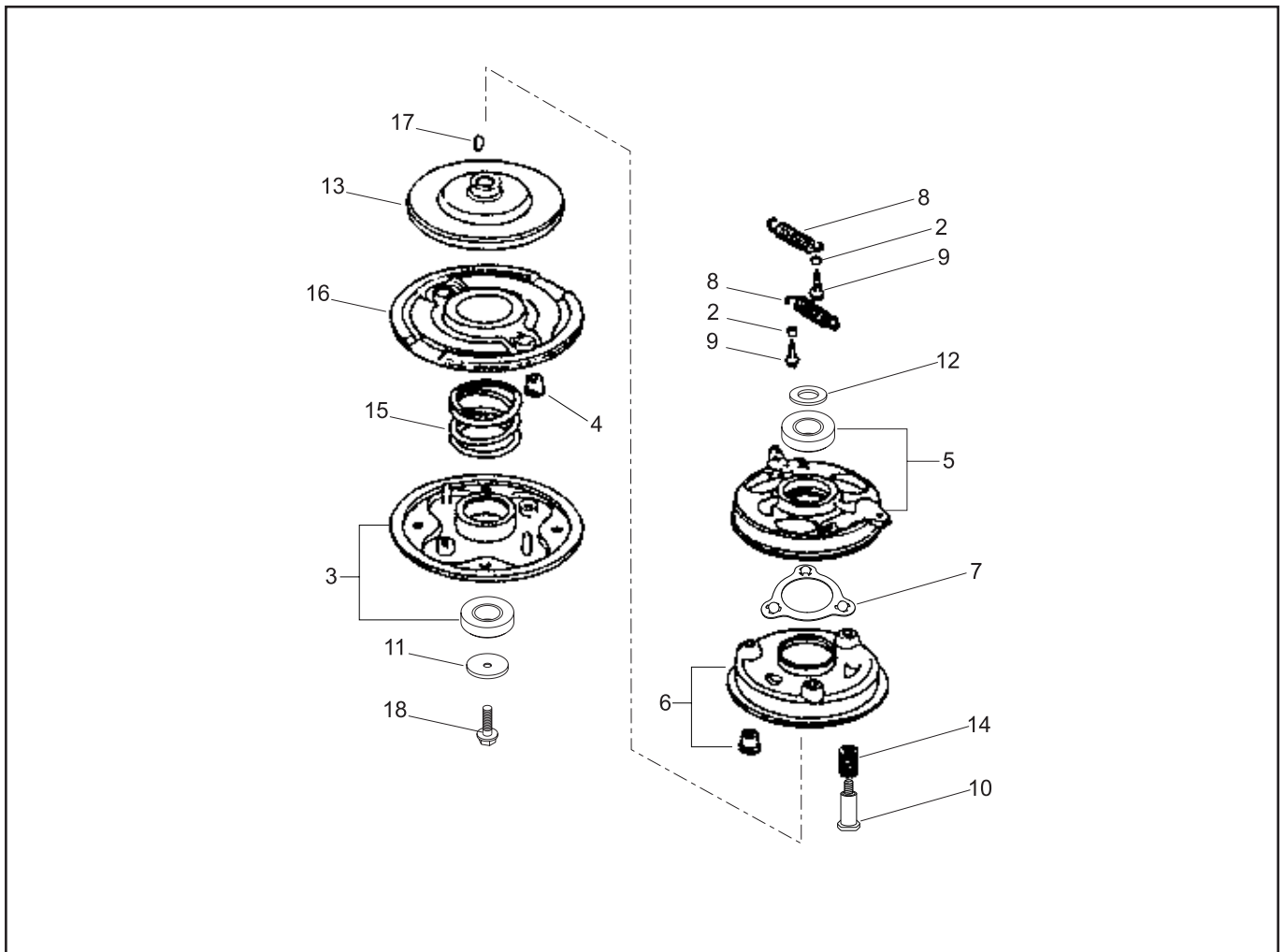


PARTS LIST

P/L No. 46014-533-00

NOTE

REF. No.	PARTS No.	PARTS NAME	GRASS-CUTTING		2/2		Dec. 25, 2006
			Q'TY INCLUDING	PRICE()	RECOMM.(%) Lot.100	REMARKS	
31		COVER UNIT (Ref. P/L No. 46012-548-**)					
32							
33	91097 101	UNIVERSAL JOINT	1				
34	812V 2000	C-SNAP RING	1				
35	717B 0418	PARALLEL PIN	1				
36	64014 358	SHAFT	1				
37	91049 135	CONNECTOR	1				
38	68036 280	WASHER	2				
39	816V 0800	E-SNAP RING	1				
40	36065 438	COVER	1				
41	342L 0616	FLANGE TAPPING BOLT	1				
42	51116 149	HANDLE BRACKET(L)	1				
43	51116 150	HANDLE BRACKET(R)	1				
44	31057 255	HEXAGON BOLT	4				
45	512L 0800	HEXAGON NUT	4				
46							
47							
48							
49							
50							
51							
52	71008 275	GEAR CASE ASS'Y	1				
53							
54							
55	733L 1000	SNAP PIN	1				
56							
57							
58							
59	122039	ENGINE:HONDA GXV160H2-SFL1-R280	1				
60		WOODRUFF KEY	1				

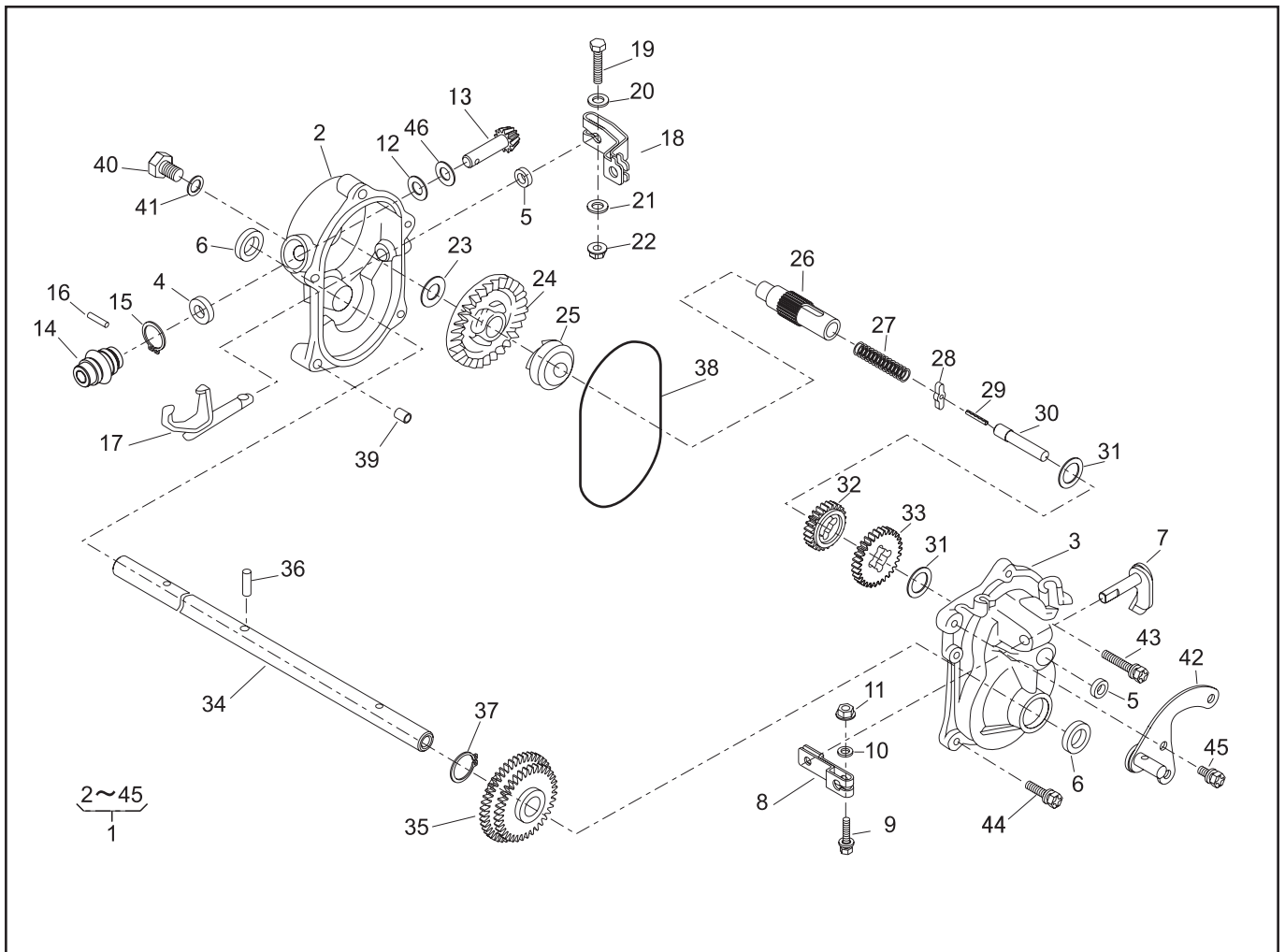


PARTS LIST

BRAKE ASSY (71067-106)

P/L No. 46014-266-02

REF. No.	PARTS No.	PARTS NAME	BBC		1/1	Feb.09,2005
			Q'TY INCLUDING	PRICE()	RECOMM.(%) Lot.100	REMARKS
1	71067 106	BRAKE ASSY	1			
2	19512 883 000	FAN COLLAR	2			
3	72600 VA4 010	HOLDER ASSY	1			
4	72613 VA4 000	BUSH, BLADE HOLDER	2			
5	75090 VA4 030	CONTROL ASSY	1			
6	75100 VA4 010	BRAKE C.P.	1			
7	75110 VA4 000	BALL RETAINER C.P.	1			
8	75182 VA3 J00	SPRING, CLUTCH RETURN	2			
9	90014 952 000	FLANGE BOLT	2			6 x 14
10	90021 VA4 000	BOLT, SPECIAL	3			6 mm
11	90409 952 000	WASHER	1			10 mm
12	90501 952 010	THRUST WASHER	1			
13	75130 VA4 000	BRAKE DISK	1			
14	75132 VA4 000	SPRING, BRAKE HOLDER	3			
15	75183 VA3 J00	SPRING, CLUTCH	1			
16	75150 VA3 J01	DRIVEN DISK C.P.	1			
17	94401 16150	WOODRUFF KEY	1			
18	90105 960 003	BOLT (10x25)	1			
19						
20						
21						
22						
23						
24						
25						
26						
27						
28						



PARTS LIST

GEAR CASE ASSY (71008-275)

P/L No. 46014-262-04

REF. No.	PARTS No.	PARTS NAME	GEAR CASE			1/2		Dec. 25, 2006
			Q'TY INCLUDING	PRICE()	RECOMM.(%) Lot.100	REMARKS		
1	71008 275	GEAR CASE ASS'Y	1			-		
2	51001 195	GEAR CASE	1			3		
3	51001 196	GEAR CASE	1			3		
4	61002 161	OIL SEAL	1			5	SD 10 20 5	
5	61002 162	OIL SEAL	2			5	SD 08 14 4	
6	61002 163	OIL SEAL	2			5	SD 15 24 5	
7	64024 104	SHIFTER SHAFT	1			3		
8	11104 119	ARM	1			3		
9	320L 0525	(+)HEXAGON BOLT (W/PW)	1			3	M5 × 25	
10	611L 0500	PLAIN WASHER	1			3	M5	
11	571L 0500	FLANGE NUT	1			3	M5	
12	61003 109	THRUST PLATE	1			5		
13	78003 130	PINION	1			3		
14	91097 101	UNIVERSAL JOINT	1			3		
15	812V 2000	C-SNAP RING		1		1	φ 20	
16	717B 0418	PARALLEL PIN		1		3	φ 4 × 18	
17	11097 106	SHIFTER FORK	1			3		
18	11104 137	ARM	1			3		
19	311M 0630	HEXAGON BOLT	1			3	M6 × 30	
20	611L 0600	PLAIN WASHER	1			3	M6	
21	613L 0600	PLAIN WASHER	1			3	M6	
22	571L 0600	FLANGE NUT	1			3	M6	
23	61024 117	SPACER	1			5		
24	78001 162	BEVEL GEAR	1			3		
25	11129 107	CLUTCH	1			3		
26	64014 236	SHAFT	1			3		
27	68013 262	SPRING	1			3		

